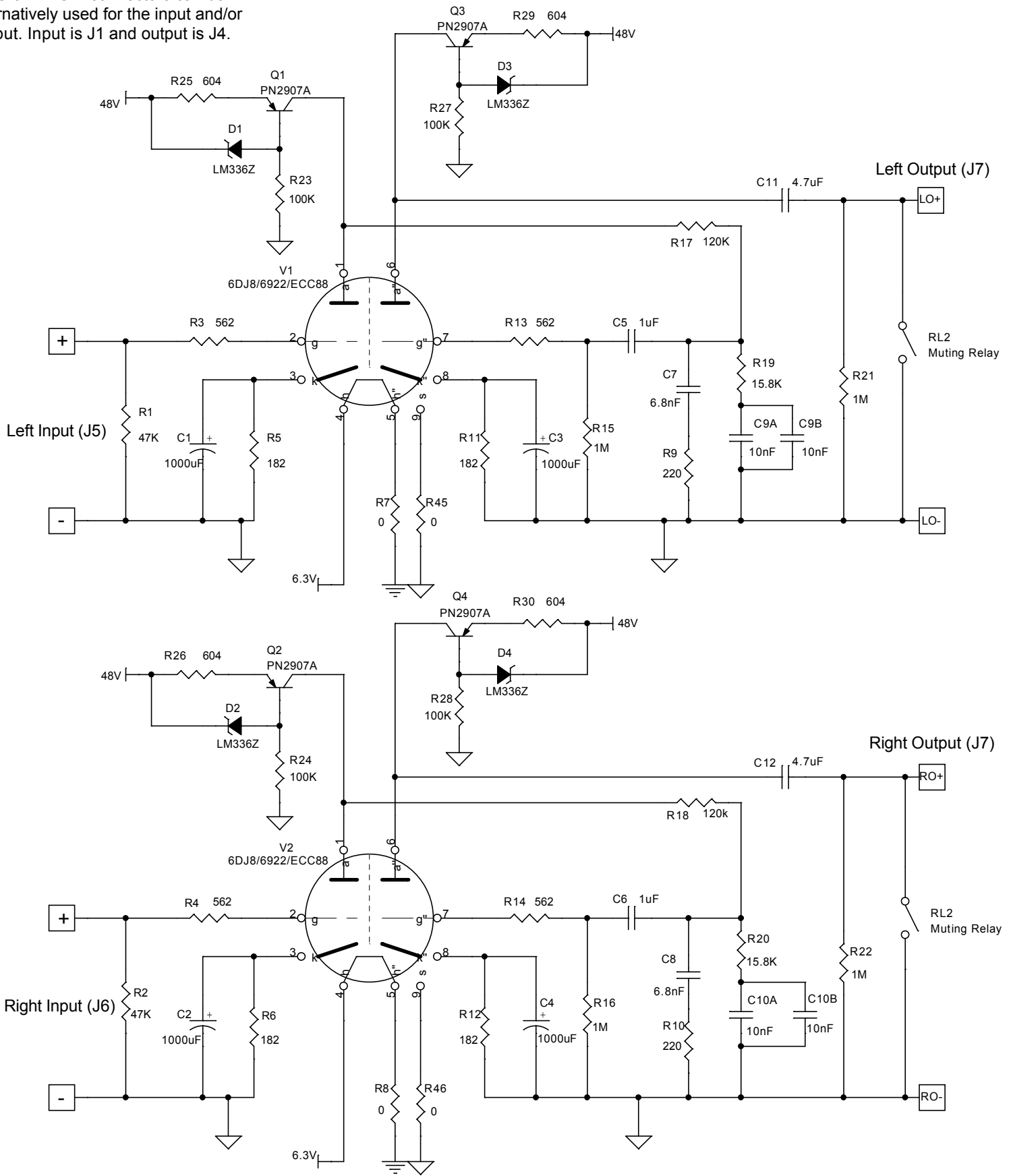
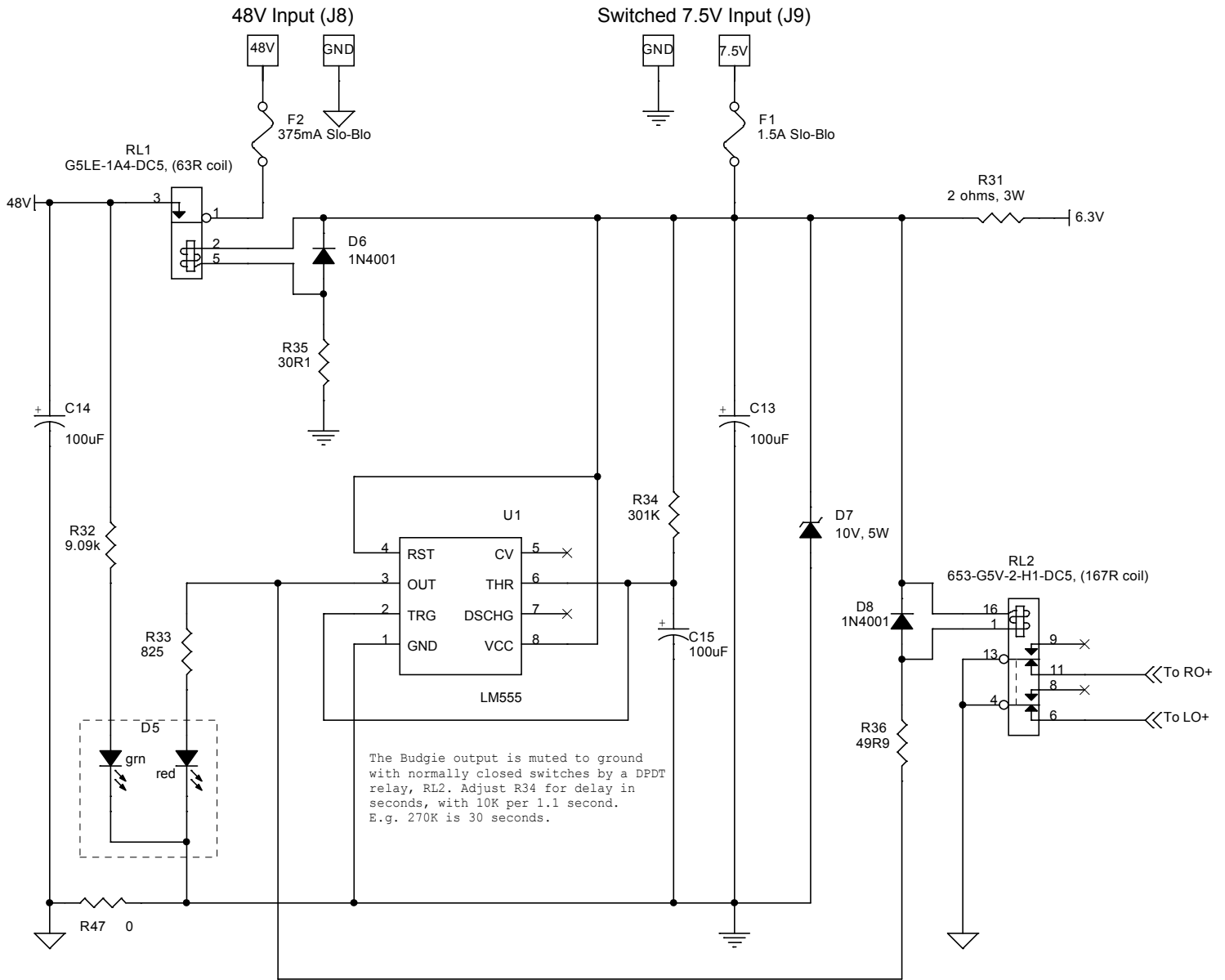


MPC or MPC-2 connectors can be alternatively used for the input and/or output. Input is J1 and output is J4.



Title		
diy*tube budgie phono preamp		
Size	Document Number	Rev
	budgie phono mute revb.dsn	-
Date:	Saturday, August 13, 2011	Sheet 1 of 2



Title		
diy*tube budgie phono preamp		
Size	Document Number budgie phono mute revb.dsn	Rev -
Date:	Saturday, August 13, 2011	Sheet 2 of 2