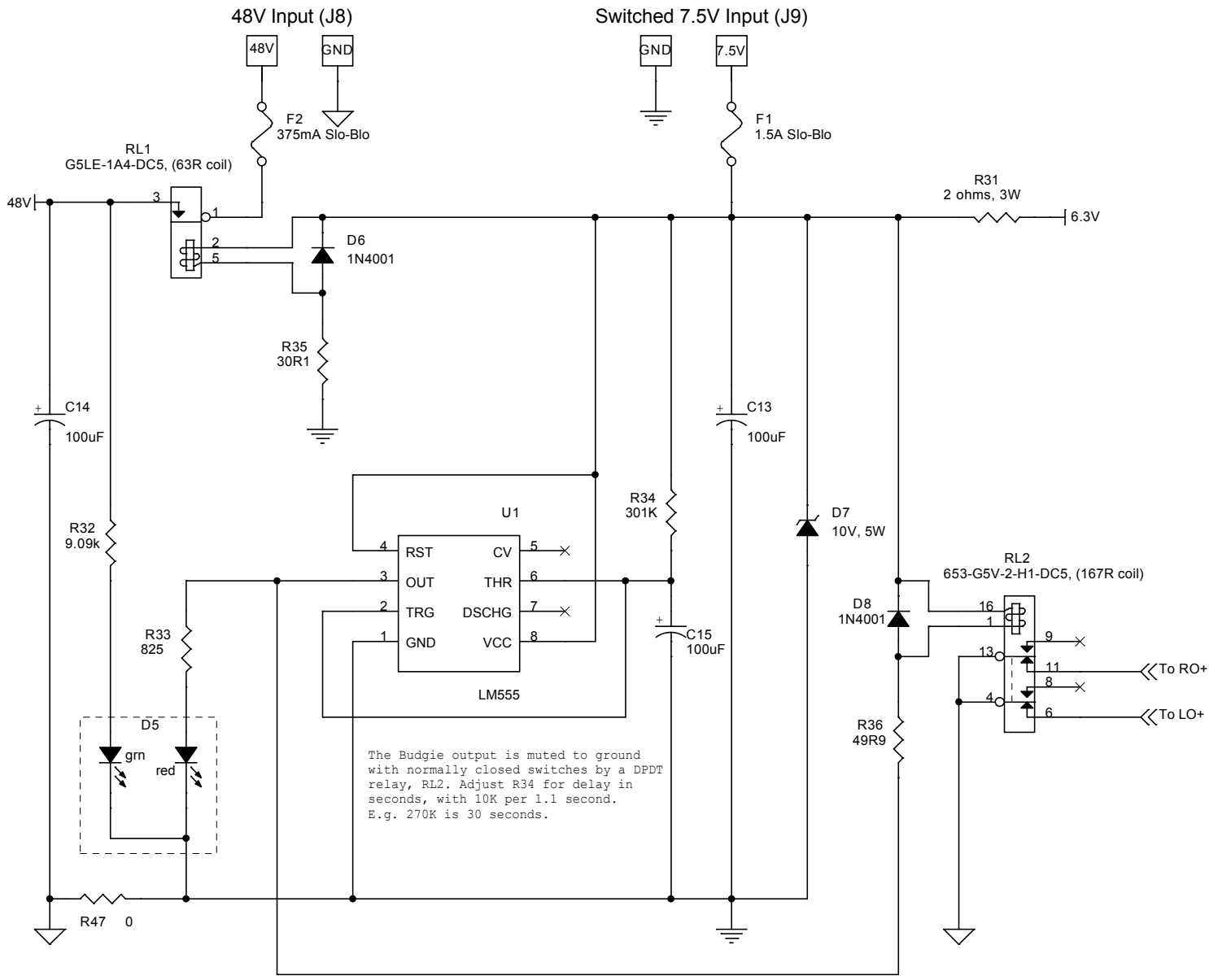


Title		
diy*tube budgie line stage		
Size	Document Number	Rev
	budgie linestage mute b.dsn	-
Date:	Saturday, August 13, 2011	Sheet 1 of 2



The Budgie output is muted to ground with normally closed switches by a DPDT relay, RL2. Adjust R34 for delay in seconds, with 10K per 1.1 second. E.g. 270K is 30 seconds.

Title		
diy*tube budgie line stage		
Size	Document Number budgie linestage mute b.dsn	Rev -
Date:	Saturday, August 13, 2011	Sheet 2 of 2